



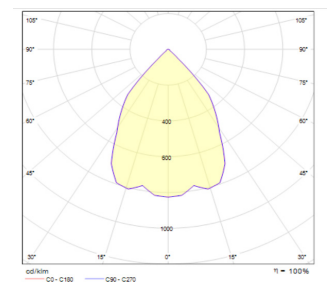
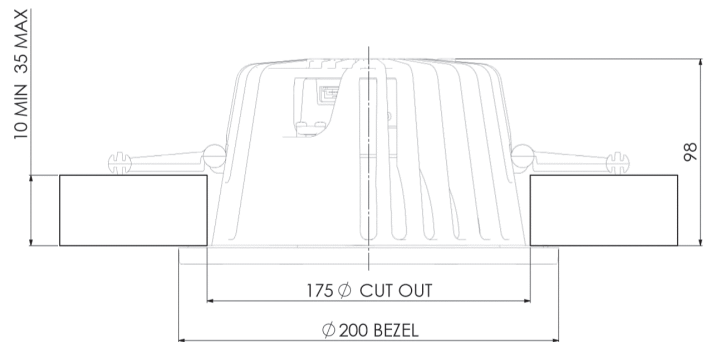
- Circular LED drop halo available with clear, blue, matt opal, green, red and orange
- Recess depth only 100mm, halo reflects light on to the ceiling
- Die cast aluminium body, cast twist and lock bezel, matt white as standard
- Option, polished chrome, brushed chrome or any RAL colour providing an excellent luminaire efficacy up to lm/W
- Stable colour temperature of 2700, 3000, 3500, 4000 Kelvin,
- Excellent colour rendering throughout entire service life
- Efficient general lighting for all areas of application: CRI80/CRI90
- Constant luminous flux at all colour temperatures in combination
- High colour consistency (MacAdams 3)
- Supplied with Tridonic SLE (LES21) LED module, Tridonic Driver
- Replaces existing compact fluorescent 18 -57 single / twin and CDMT, 20w/35w/70w/100W downlights
- Supplied with fixed output driver, dimming options, DALI, DSI Switch DIM, 3 hour emergency version
- Weight 1.4kg, mains voltage 220-240V, mains frequency 50 / 60 Hz
- Operating ambient temperature: -25°C to +25°C
- L90 means that the LED module will give 80 % of its initial luminous flux. This value is always related to the number of operation hours and therefore defines the lifetime of an LED module.
- Tridonic SLE led module
- Good Glare control >19

Available on request

Optimized light spectrum for perfect presentation of fashion, food, art, fresh vegetables, bread

Add suffix to catalogue number:

- EM3:** Emergency three hour. **EMST:** 3 hour self test emergency.
- EM3DALI:** DALI addressable emergency.
- SD:** Switch DIM dimming with push to make switch.
- DALI:** Digital Addressable Lighting Interface. **W:** White bezel.
- PC:** Polished chrome bezel. **BS:** Brushed chrome bezel.
- SP:** Any RAL colour please specify. **IP65:** IP65.



Please note that with the continuous rapid development in lighting technology, specification values may change. Contact our technical department for details. We reserve the right to amend or change details without prior notification. All performance data is taken at an ambient temperature of +25°C. Lumens and connected system load are subject to an initial tolerance of up to +/- 10%.



X4LED SPECIFICATION CRI80

CAT No	Colour Temp (K)	Colour Rendering (RA)	Life (L90) (hrs)	Total Delivered Lumens (lm)	Connected Load Total Watts (tcw)	Luminaire System Efficacy (lm/W)
X4 984	4000	CRI 80	60000	1290	9.5	135.79
X4 9835	3500	CRI 80	60000	1250	9.5	131.58
X4 983	3000	CRI 80	60000	1200	9.5	126.32
X4 982	2700	CRI 80	60000	1170	9.5	123.16
X4 1384	4000	CRI 80	60000	1750	13.5	129.63
X4 13835	3500	CRI 80	60000	1710	13.5	126.67
X4 1383	3000	CRI 80	60000	1690	13.5	125.19
X4 1382	2700	CRI 80	60000	1640	13.5	121.48
X4 1984	4000	CRI 80	60000	2490	19	131.05
X4 19835	3500	CRI 80	60000	2443	19	128.58
X4 1983	3000	CRI 80	60000	2300	19	121.05
X4 1982	2700	CRI 80	60000	2270	19	119.47
X4 2484	4000	CRI 80	60000	2880	23	125.22
X4 24835	3500	CRI 80	60000	2850	23	123.91
X4 2483	3000	CRI 80	60000	2800	23	121.74
X4 2482	2700	CRI 80	60000	2700	23	117.39
X4 2784	4000	CRI 80	60000	3400	27	125.93
X4 27835	3500	CRI 80	60000	3330	27	123.33
X4 2783	3000	CRI 80	60000	3200	27	118.52
X4 2782	2700	CRI 80	60000	3100	27	114.81
X4 3584	4000	CRI 80	60000	4120	35	117.71
X4 35835	3500	CRI 80	60000	4000	35	114.29
X4 3583	3000	CRI 80	60000	3900	35	111.43
X4 3582	2700	CRI 80	60000	3800	35	108.57
X4 4284	4000	CRI 80	60000	4720	42	112.38
X4 42835	3500	CRI 80	60000	4600	42	109.52
X4 4283	3000	CRI 80	60000	4500	42	107.14
X4 4282	2700	CRI 80	60000	4420	42	105.24

X4LED SPECIFICATION CRI90

CAT No	Colour Temp (K)	Colour Rendering (RA)	Life (L90) (hrs)	Total Delivered Lumens (lm)	Connected Load Total Watts (tcw)	Luminaire System Efficacy (lm/W)
X4 1394	4000	CRI 90	60000	1410	13	108.46
X4 13935	3500	CRI 90	60000	1390	13	106.92
X4 1393	3000	CRI 90	60000	1360	13	104.62
X4 1392	2700	CRI 90	60000	1250	13	96.15
X4 1994	4000	CRI 90	60000	2120	19	111.58
X4 19935	3500	CRI 90	60000	2090	19	110.00
X4 1993	3000	CRI 90	60000	1990	19	104.74
X4 1992	2700	CRI 90	60000	1890	19	99.47
X4 2794	4000	CRI 90	60000	3105	27	115.00
X4 27935	3500	CRI 90	60000	3080	27	114.07
X4 2793	3000	CRI 90	60000	2980	27	110.37
X4 2792	2700	CRI 90	60000	2870	27	106.30
X4 3294	4000	CRI 90	60000	3910	35	104.42
X4 32935	3500	CRI 90	60000	3850	35	110.00
X4 3293	3000	CRI 90	60000	3800	35	108.57
X4 3292	2700	CRI 90	60000	3700	35	105.71
X4 4084	4000	CRI 80	60000	4490	43	104.42
X4 40835	3500	CRI 80	60000	4450	43	103.49
X4 4083	3000	CRI 80	60000	4400	43	102.33
X4 4082	2700	CRI 80	60000	4370	43	101.63
X4 1394	4000	CRI 90	60000	1410	13	108.46
X4 13935	3500	CRI 90	60000	1390	13	106.92
X4 1393	3000	CRI 90	60000	1360	13	104.62
X4 1392	2700	CRI 90	60000	1250	13	96.15
X4 1994	4000	CRI 90	60000	2120	19	111.58
X4 19935	3500	CRI 90	60000	2090	19	110.00
X4 1993	3000	CRI 90	60000	1990	19	104.74
X4 1992	2700	CRI 90	60000	1890	19	99.47